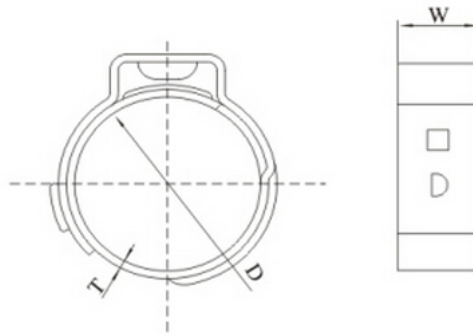




RCDE

304

360°



	D			
	mm	mm		
RCDE-6.5	6.5	5.3-6.5	1000N	20,000
RCDE-7.0	7.0	5.8-7.0	1000N	20,000
RCDE-7.5	7.5	6.8-8.0	1000N	20,000
RCDE-8.0	8.0	7.0-8.7	1000N	20,000
RCDE-9.0	9.0	7.3-9.0	1000N	20,000
RCDE-9.5	9.5	7.8-9.5	1000N	20,000
RCDE-10.0	10.0	8.3-10.0	1000N	10,000
RCDE-10.5	10.5	8.8-10.5	1000N	10,000
RCDE-10.9	10.9	9.2-10.9	1000N	10,000
RCDE-11.3	11.3	9.6-11.3	1000N	10,000
RCDE-11.8	11.8	10.1-11.8	2100N	10,000

